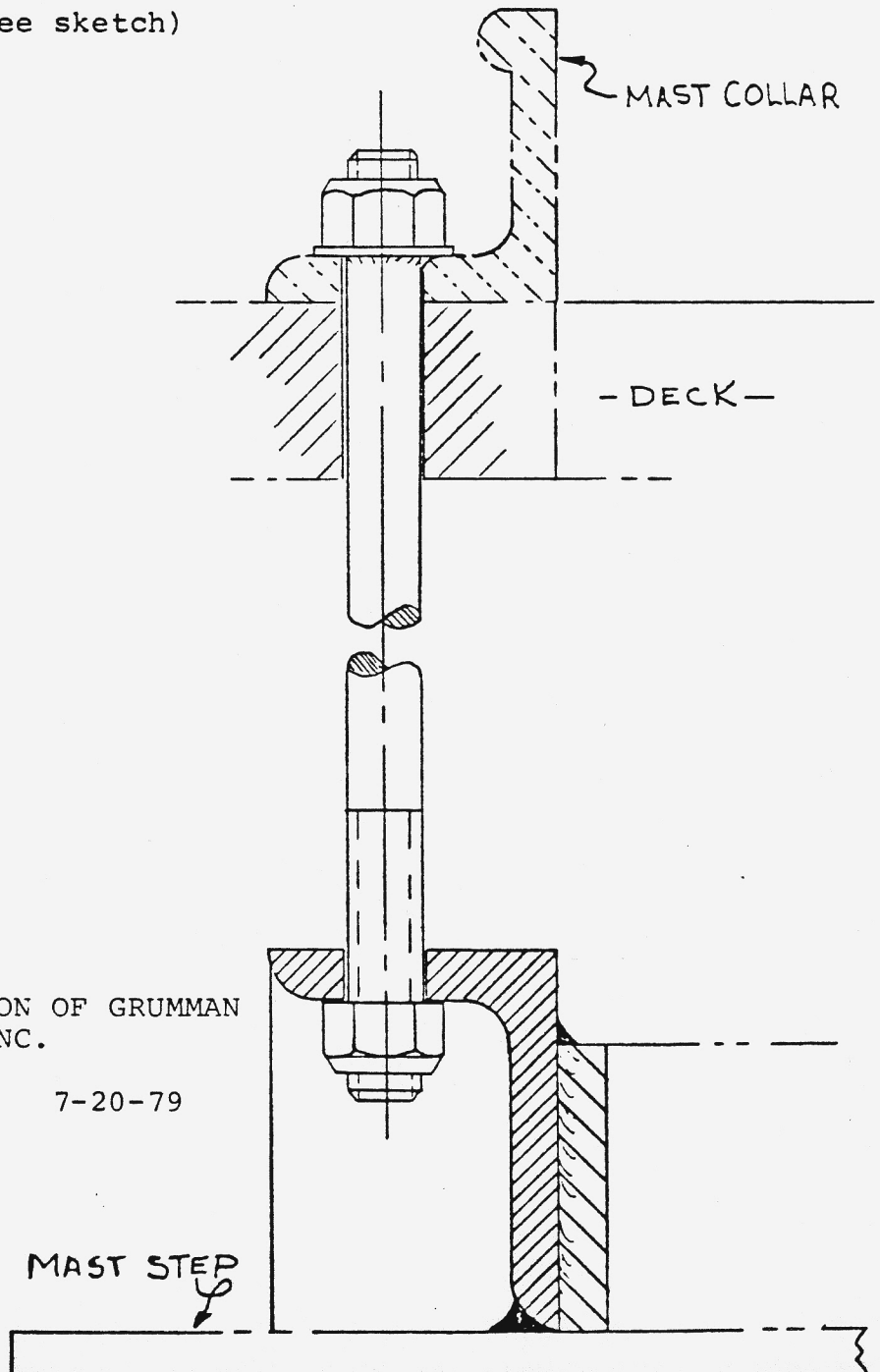


# MAST TIE ROD

Your boat is equipped with a tie rod which runs from the mast collar at the deck partner to the mast step.

The tension should never be over tightened. The nut on deck should be finger tight with the boat at rest and the rigging properly adjusted. (See sketch)



PEARSON YACHTS DIVISION OF GRUMMAN  
ALLIED INDUSTRIES, INC.

7-20-79