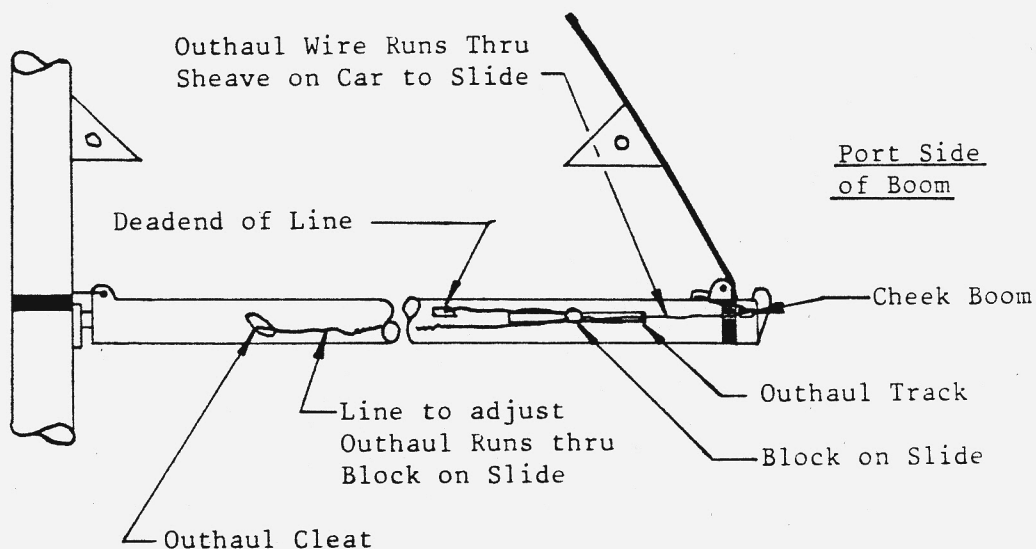
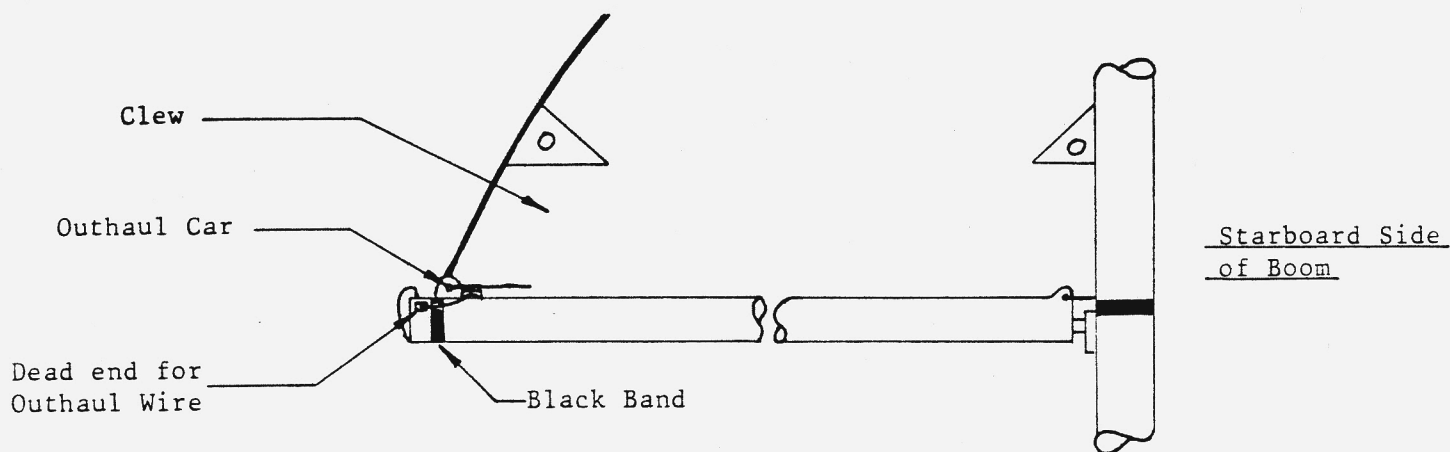


OUTHAUL

P-323



1. Attach outhaul to mainsail clew.
2. Trim main halyard by hauling top of mainsail to black band at the top of mast.
3. Trim outhaul by pulling on line on port side of boom until clew reaches black band at aft end of boom. Cleat outhaul (line) on cleat, port side, at forward end of boom.